



prime Multiprox Resistant

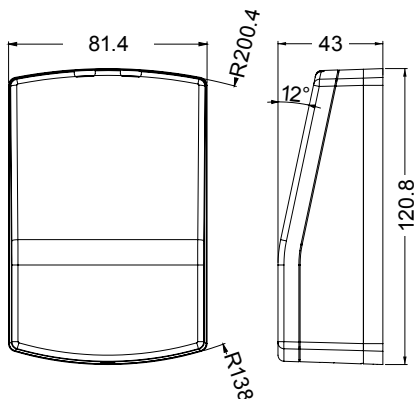
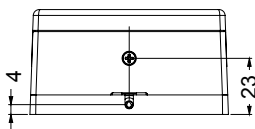
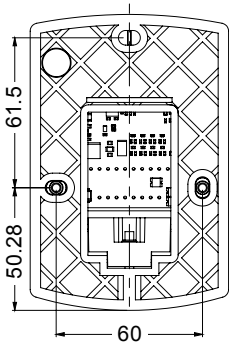


Primion has developed a portfolio of proximity readers to meet the highest security requirements, while at the same time offering high levels of user comfort. The reader is activated just by holding a credential within its read area.

Thanks to the electronics being potted and also having an additional lacquer coating, the prime Multiprox Resistant keyboard readers offer a secure option for deployment in a protected outdoor environment.

With its simple yet practical design, the reader blends into the building environment. The simple operation of the keyboard reader offers high user comfort thanks to the latest RFID technology.

As standard, the Multiprox readers can also be deployed as pKT master readers, further underlining its multi-functionality.



pKT master function

With this function, the reader can read individual access-related data from the credential and at the same time, write new access-related information onto the credential, e.g. updated access rights. The pKT master function is only available if the reader is connected to an IDT 32 / IDT 2x controller and if one of the corresponding Master reader software options S400-310.01 to S400-340.01 has been ordered and activated.

Features

- ▶ Available for various credential technologies
- ▶ Contemporary design
- ▶ Can be installed indoors and in unprotected outdoor locations
- ▶ 2 LEDs for status display
- ▶ Simple installation
- ▶ High level of security
- ▶ Flexible application
- ▶ Simple handling

pKT master function

- ▶ For reading and writing a person's access authorisations
- ▶ Access rights are administered in the host system
- ▶ RFID credentials are used as virtual information carriers
- ▶ Reaction time, typically 1 sec.
- ▶ Special authorised cards are possible, e.g. emergency services
- ▶ Connection not possible on IDT 8
- ▶ High data security through RS485 AES encryption between reader and control panel

made in

Germany

Technical data

Power supply	9 - 50 VDC
Power consumption	max. 170 mA at 12 VDC
Housing	Impact resistant synthetic material
Colour	Upper part — Silver grey translucent Lower part — Anthracite
Dimensions (W x H x D)	81.4 x 121.4 x 43 mm
Protection class	IP66, IP69
Operating temperature	-25 to 55 °C
Reader interfaces	RS485
Technologies	MIFARE® DESFire®, LEGIC advant®
Read distances	MIFARE® DESFire® — typically 35 mm with card typically 25 mm with key tags LEGIC advant® — typically 70 mm with card (ISO 14443A), typically 40 mm with key tags

The device fulfils the specifications of DIN EN 60721-3-3:1995/A2:1997, Class 3K6 (exterior).

Ordering information

Access control readers, silver, multiprotocol, potted and lacquered, with keypad

L60B-190.01	MIFARE® DESFire® und LEGIC advant®, with tamper contact
L60B-190.02	MIFARE® DESFire® und LEGIC advant®, without tamper contact