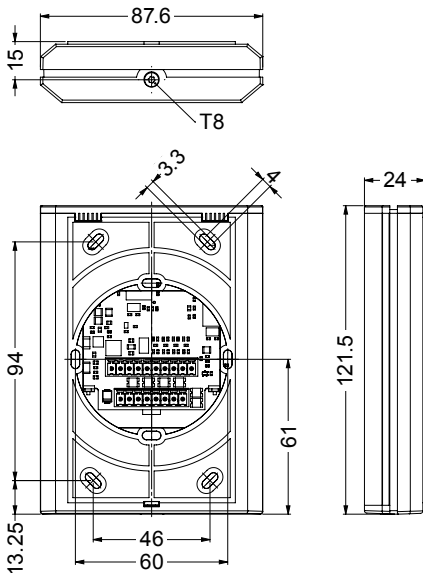




pKT offline reader IDR-O



The pKT offline reader IDR-O is equipped with a MIFARE® DESFire® EV1 or a LEGIC advant® reader. It reads the access rights that have been written onto an access credential by a master reader with an online connection to the central database, and grants or denies access accordingly. These access rights are made up of several time periods whose overall validity can be set as required. If the credential is not presented to a master reader for updating before this period has elapsed, the credential and therefore the cardholder automatically loses all access rights to the offline components.

As the access administration is fully integrated in the online system, the access rights of the autonomous offline units are handled easily and comfortably throughout the whole system. No individual programming of the offline reader is necessary. Depending on the system configuration, up to the last 160 transactions are saved on the device. This data can automatically be written back to the employee credential at the time of the transaction and then transmitted to the central database the next time it is presented to a master reader. Additionally, the data can be read out from the offline component at any time using a special transactions transfer card and transmitted to the central database through a master reader.

The offline reader contains the complete prime KeyTechnology read and control electronics. Installation is therefore very straightforward. A 12 VDC power supply has to be made available at the installation site.

Features

- ▶ Credential used as information carrier, e.g. automatic booking transfer, blacklist
- ▶ Integrated RTC component
- ▶ Individual access rights per cardholder
- ▶ No on-site authorisation memory
- ▶ Toggle mode option (open with first booking, close with next, open with next, etc.)
- ▶ Two LED's (red/green, yellow) to confirm status and commands
- ▶ One door opener relay
- ▶ Two inputs, one for REX button and one for door monitoring contact

Technical data

Power supply	9 - 50 VDC
Power consumption	LEGIC advant® 12/24/48 V: 170/110/70 mA MIFARE® DESFire® EV1 12/24/48 V: 170/145/95 mA
Dimensions (W x H x D)	87,6 x 121,5 x 24 mm
Protection class	IP54
Operating temperature	-25 °C to 55 °C
Technologies	MIFARE® DESFire® EV1, LEGIC advant®
Read distances	MIFARE® DESFire® EV1 typically 35 mm with card typically 25 mm with key tags LEGIC advant® typically 70 mm with card (ISO 14443A), typically 40 mm with key tags (ISO 14443A)

The device fulfils the specifications of DIN EN 60721-3-3:1995/A2:1997, Class 3K6 (exterior).

Ordering information

IDR-O, pKT offline access control reader, ADR design

I14C-188.01	MIFARE® DESFire® EV1
I14C-189.01	LEGIC advant®

Accessories

Z170-017.01	Silicon sealing gasket; black
Z040-050.01	Brushed steel mounting column