



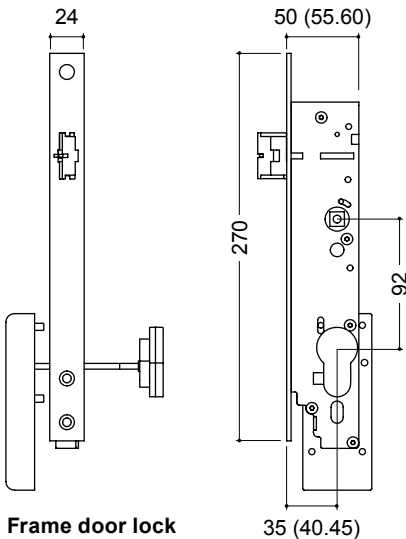
## pKT APS Comfort system



The APS Comfort system (CoSy) represents a further expansion of the pKT range. This electronic lock is fitted with a MIFARE® reader. The pKT APS Comfort system is available both for tubular frame doors and for timber doors.

The APS Comfort system is integrated into the pKT software. The access rights for the autonomous offline components are administered centrally in the Host system, which means that no individual programming of the lock is necessary. The pKT APS Comfort system contains the complete read and control electronics as well as the power supply, which uses standard CR-V3 batteries.

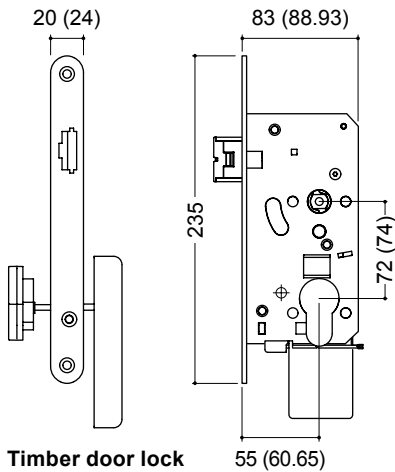
The pKT APS Comfort system has been developed for use in standard doors, fire protection doors as well as emergency exit route doors. When it is used in fire protection doors, door handles compliant with DIN 18273 FS must be used that have been tested and approved with the following locks: B2170 lock from the BKS Company (timber doors) and B1970 lock from the BKS Company (frame doors).



**Frame door lock**  
in acc. DIN 18251 Part 2

Because of the standardly-used split follower, internal and external doors have to be operated independently of each other. This standard function prevents a door being blocked if someone holds onto the handle on one side of the door, for example. The Comfort system, was primarily developed for use indoors. It can also be deployed outdoors in areas protected from the weather.

Both the Comfort system's covering cap and its face plate are available with a smart stainless steel finish. The antenna cap is made of polyamide and can be ordered in four different colours: pure white, deep black, stone grey and anthracite grey.



**Timber door lock**  
in acc. DIN 18251 Part 1

### Features

- ▶ Use of existing cards/key fobs as virtual information carriers, e.g. battery status, automatic booking transfer, blacklist
- ▶ Individual access rights per cardholder
- ▶ No authorisations are stored in the Comfort system
- ▶ Automatic, time-controlled unlocking and locking
- ▶ Toggle mode option  
(unlock permanently with first booking, lock with next, unlock with next, etc.)
- ▶ Optical and acoustic indication to confirm commands and to show the battery warning status
- ▶ Emergency opening with external power supply (available separately)
- ▶ Battery working life of up to 3 years at 10 activations a day.  
A total of up to 70,000 activations is possible
- ▶ Access rights are administered in the Host system
- ▶ Reaction time, typically 1 second
- ▶ Suitable for use on fire and escape doors
- ▶ The latest events, up to a maximum of 160, can be transferred to the database in the Host system through a Master reader, using a bookings transfer card

## Technical data

<b>Power supply</b>	1 Lithium 3 V CR-V3 battery
<b>Operating temperature</b>	0 °C to + 55 °C
<b>Humidity (operation)</b>	Max. 95 %, without condensation
<b>Protection class</b>	IP54 outside IP41 inside
<b>Approvals, Standards, CE Conformity, Directives</b>	<ul style="list-style-type: none"><li>– RED Directive 2014/53/EU</li><li>– RoHS Directive 2002/95/EG</li><li>– DIN EN 179 Locks and escutcheons - Emergency exit devices with handle or push pad for emergency exit doors</li><li>– DIN EN 1125 Locks and escutcheons - Panic exit devices with horizontal actuating bar for emergency exit doors</li><li>– DIN 18251: Part 1 Mortise locks for folding doors</li><li>– DIN 18251: Part 2 Mortise locks for tubular frame doors</li><li>– VdS: Mechanical lock tested and approved by the VdS Lock resistance in acc. DIN 18251 Class 4 Increased burglary resistance and high user frequency</li></ul>
<b>Transponder technology</b>	MIFARE® DESFire®, MIFARE Classic®
<b>Interface</b>	NFC interface in acc. ISO 14443A
<b>Read distance</b>	Up to 15 mm, depending on the construction of the transponder

### Options

**APS Comfort system for timber door** ——— Electronic, self-locking anti-panic lock for timber doors for combination with handle sets with a fixed pivot bearing in the rosette, with split follower, 9 mm spindle

	Standard	Fire protection	Additional mechanical locking option
single-leaf	●	●	●
double-leaf	●	●	●

**APS Comfort system for frame door** ——— Electronic, self-locking anti-panic lock for frame doors for combination with handle sets with a fixed pivot bearing in the rosette, with split follower, 9 mm spindle

	Standard	Fire protection	Additional mechanical locking option
single-leaf	●	●	●
single-leaf, top-locked	○	○	○
double-leaf	●	●	●
double-leaf, top-locked	○	○	○

● Available    ○ On request

**Lock configurations** ——— Frame door lock ——— Timber door lock

<b>Spindle</b>	9 mm	9 mm
<b>Follower</b>	Split	Split
<b>Bolt length</b>	35, 40, 45 mm	55, 60, 65 mm
<b>Distance</b>	92 mm	72 mm
<b>Face plate shape</b>	Rectangular, U-shape	Round
<b>Face plate width</b>	24 mm	20, 24 mm (28 mm on request)
<b>Face plate length</b>	270 mm	235 mm
<b>DIN direction</b>	Right, Left	Right, Left
<b>Direction of opening</b>	Inwards, Outwards	Inwards, Outwards
<b>Antenna cap colours</b>	99 (Pure white) 90 (Deep black) 95 (Stone grey) 92 (Anthracite grey)	99 (Pure white) 90 (Deep black) 95 (Stone grey) 92 (Anthracite grey)

**Surface finishes** ——— **Covering cap** ——— Stainless steel (other surface finishes on request)  
**Face plate** ——— Stainless steel  
**Antenna caps** ——— Polyamide in four colours  
 99 (Pure white), 90 (Deep black),  
 95 (Stone grey), 92 (Anthracite grey)

## Ordering Information

### pKT APS Comfort system for frame doors

- I187-1000E.01 — pKT APS Comfort system for single-leaf frame doors
- I187-1001E.01 — pKT APS Comfort system for single-leaf frame doors, fire protection
- I187-1002E.01 — pKT APS Comfort system for double-leaf frame doors
- I187-1003E.01 — pKT APS Comfort system for double-leaf frame doors, fire protection
- I187-1004E.01 — pKT APS Comfort system for single-leaf frame doors, additional mechanical locking option, fire protection (available on request)
- I187-1005E.01 — pKT APS Comfort system for double-leaf frame doors, additional mechanical locking option, fire protection (available on request)

### pKT APS Comfort system for timber doors

- I187-1010E.01 — pKT APS Comfort system for single-leaf timber doors
- I187-1011E.01 — pKT APS Comfort system for single-leaf timber doors, fire protection
- I187-1012E.01 — pKT APS Comfort system for double-leaf timber doors
- I187-1013E.01 — pKT APS Comfort system for double-leaf timber doors, fire protection
- I187-1014E.01 — pKT APS Comfort system for single-leaf timber doors, additional mechanical locking option, fire protection (available on request)
- I187-1015E.01 — pKT APS Comfort system for double-leaf timber doors, additional mechanical locking option, fire protection (available on request)

### Price supplements

- I187-0001.01 — Price supplement for APS timber door lock with bolt length 80
- I187-0002.01 — Price supplement for APS timber door lock with bolt length 100
- I187-0003.01 — Price supplement for APS frame door lock with 6 mm Schüco, Foster or U-form face plate

### Accessories

- Z073-001.01 — Battery for pKT CoSy APS Lithium CRV3 3 V
- Z080-180.01 — External power supply for pKT Comfort system
- Z220-073.01 — PC Rosette for additional mechanical locking option on frame door, on request
- Z220-074.01 — PC Rosette for additional mechanical locking option on timber door, on request
- Z220-075.01 — Replacement face plate with top lock for APS CoSy timber doors