

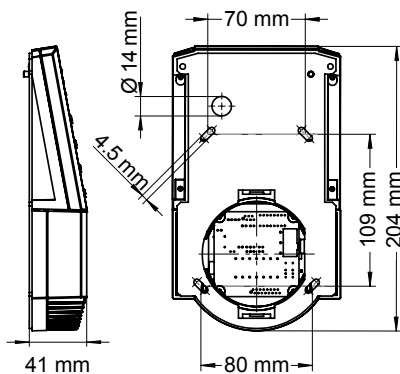


Operator display unit 100 (ODU 100)

The ODU 100 Operator and display unit has been developed for applications in the area of integrated security technology. It has operating functions for an intrusion detection system (IDS). Additionally, the following events can be called:

- ▶ Arming and disarming (external or internal)
- ▶ Switching device operated
- ▶ Key number
- ▶ Alarm – Tamper – Hold-up – Fault
- ▶ Block detector group (external or internal)
- ▶ Delete – Reset
- ▶ Release for operation with code

Operation authentication is done through the input of a PINcode or through the credential reader. The ergonomic foil keypad offers optimum user comfort and has clear function symbols. The 2 line, 16 digit LCD offers excellent display options, in order to ensure a clear execution of the required operations.



Features

- ▶ Display of switching, fault and alarm states
- ▶ Internal arming / disarming of IDS areas
- ▶ Blocking of detector groups
- ▶ Calling-off of event-memory with date and time
- ▶ Deletion of alarms
- ▶ Housing with tamper contact
- ▶ RS485 Interface
- ▶ Connection to IDT 32
- ▶ Can be combined with MIFARE® DESFire® EV1, LEGIC advant® and HITAG reader modules
- ▶ Numerical 10-key keypad plus [Clear] and [Enter], 4 function keys
- ▶ Icon display: Power on – Fault – Alarm

Technical data

Power supply	12 - 15 VDC
Power consumption	Typically 6 W
Housing	Impact-resistant plastic
Colour	Front cover — Light grey, RAL 7035
	Rear part — Traffic grey, RAL 7042
Weight	Typically 1 kg
Protection class	IP30
Reader interface	Clock / data, TTL level

The device fulfils the specifications of DIN EN 60721-3-3:1995/A2:1997, Class 3K3,3Z11 (interior).

Ordering information

ODU 100 Operator unit

D241-187.01	MIFARE® DESFire® EV1
D241-130.01	LEGIC advant®
D241-157.01	HITAG