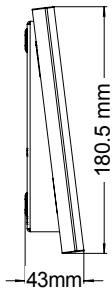
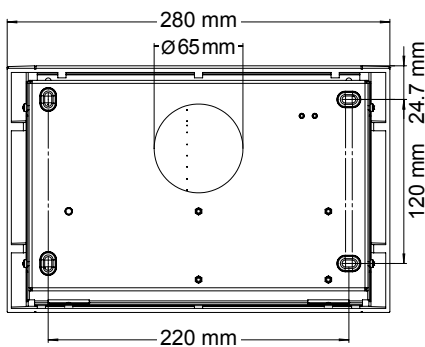




Display Panel



The Display panel was developed by primion to give an overview of various states.

They are often used in telephone switchboard rooms, reception areas, HR departments or Security Offices to provide instant visualisation of the current situation.

With access control systems, the panels are implemented to display door statuses, showing for instance, whether a door is open or closed. Each door is assigned a pair of LEDs (red and yellow), which can be combined to show up to 8 different statuses. The built-in buzzer can be triggered in the event of an alarm situation.

The LEDs can also be activated through extended event control definition. For example, certain LEDs could be activated to indicate that suitably monitored windows are still open after 6:00 pm.

If the panel is deployed in combination with an intrusion detection system (IDS), it can inform an employee whether the system is to be armed as they leave the building.

The panel indicates whether other colleagues are still present, one of whom can then arm the system when they go. If the panel shows that no further employees are present, he is responsible for arming the system.

Using an RS485 bus connection, up to 16 panels and with an IDT 32, up to 4 panels can be integrated in one system.

Features

- ▶ Suitable for access control and time & attendance systems
- ▶ Each of the 64 positions can be labelled
- ▶ Built-in alarm buzzer
- ▶ 8 different statuses can be shown using different combinations of the two LEDs per field (on, off, various flashing speeds)
- ▶ Integrated RS485 & RS232 interfaces
- ▶ Up to 16 addressable panels per RS485 bus and / or up to 4 per IDT 32
- ▶ Attractive design
- ▶ Simple installation
- ▶ Low maintenance requirements
- ▶ Can be controlled through extended event control definitions
- ▶ for Status overview doors (open / closed ...) or persons (present / absent ...) and / or detector groups, areas, hold-ups, tamper, armed and disarmed alarm states

Technical data

Power supply	7 - 15 VDC
Power consumption	max. 3.5 W
Housing	Metal / Plastic frame
Colour	Light grey, RAL 7035
Protection class	IP33

The device fulfils the specifications of DIN EN 60721-3-3:1995/A2:1997, Class 3K3,3Z11 (interior).

Ordering information

M020-000.01 ———— Display panel for 64 employee records or 64 doors; 64 label slots

Accessories

Z080-040.01 ———— Pluggable power supply, 9 V / 1 A, with two-pin screw connector

Z080-020.01 ———— Power supply with integrated back-up power; Output: 5 VDC / 1 A or 12 VDC / 1.6 A