



ADR Indoor



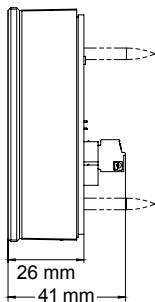
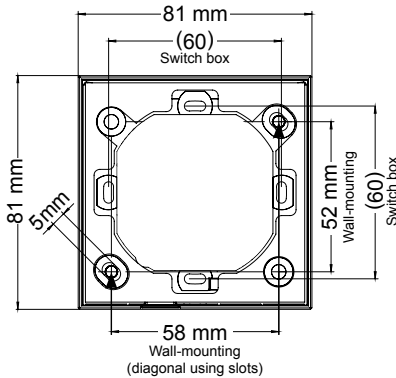
Readers from the ADR series (Advanced Data Reader) are characterised by their attractive design and the high level of user comfort they offer. The design is based on the ADT Time recording terminals. Reader and Time recording terminals are thus perfectly matched. The use of the latest technology also means that nothing is left to chance when it comes to achieving the highest security requirements.

ADR Indoor with keypad

This reader has a 12 key capacitive keypad. With its glass surface, the keypad won't show any signs of wear and the unit requires very little servicing.

pKT master function

With this function, the reader can read individual access-related data from the card and at the same time, write new access-related information onto the card, e.g. updated access rights. The pKT master function is only available if the reader is connected to a controller.



Features

- ▶ Suitable for internal installation
- ▶ Modern design, matching the ADT series
- ▶ Flexible, simple application
- ▶ Simple installation
- ▶ Low service requirements

pKT master function

- ▶ For reading and writing a person's access authorisations
- ▶ Access rights are administered in the host system
- ▶ Use of RFID credentials as information carriers
- ▶ Reaction time, typically 1 sec.
- ▶ Special authorised cards are possible, e.g. first responders

Technical data

Power supply	9 - 50 VDC
Power consumption	LEGIC advant® 12/24/48 V: 180/100/60 mA MIFARE® DESFire® EV1 12/24/48 V: 150/90/65 mA
Dimensions (W x H x D)	81 x 81 x 41 mm
Weight	With keypad Typically 180 g Without keypad Typically 140 g
Protection class	IP40
Reader interface	RS485, Clock / Data
Read technologies	MIFARE® DESFire® EV1, MIFARE Classic®, LEGIC advant® or LEGIC prime
Keypad	Capacitive keypad with 12 keys

The device fulfils the specifications of DIN EN 60721-3-3:1995/A2:1997, Class 3K3,3Z11 (interior).

Ordering information

Access control reader ADR Indoor; without keypad

L64A-188.25	MIFARE® DESFire® EV1; Operation indicator blue
L64A-188.26	MIFARE® DESFire® EV1; Operation indicator white
L64A-189.25	LEGIC advant®; Operation indicator blue
L64A-189.26	LEGIC advant®; Operation indicator white

Access control reader ADR Indoor; with keypad

L65A-188.25	MIFARE® DESFire® EV1; Operation indicator blue
L65A-188.26	MIFARE® DESFire® EV1; Operation indicator white
L65A-189.25	LEGIC advant®; Operation indicator blue
L65A-189.26	LEGIC advant®; Operation indicator white

Accessories

A900-266.07	Monitor Cable
Z171-001.01	Surface-mounted frame